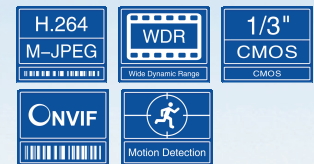


VP120-A605 Series

8MP 180° HD Panoramic Minidome Camera

Infinova[®]
The Integrator's Manufacturer



- **180° horizontal views**
- **1/3" progressive scan CMOS sensor**
- **Orthoscopic lens**
- **Full-frame HD video output, with the resolution up to 8MP@25fps**
- **PTZ panoramic linkage**
- **Fresh design**
- **IP66 and vandal-resistant design**
- **Double housings**
- **Operating temperature ranges from -40°C to 50°C**
- **Indoor or outdoor**

VP120-A605 series 8MP panoramic camera adopts 1/3" progressive scan CMOS sensor, and built-in high DOF lens, which allow image output resolution up to 8MP@25fps. The camera boasts of 180° panoramic surveillance. With Self-help image fusion algorithm, a multiple of images are stitched seamlessly into a complete image. No fracture or ghost is available at the junctures.

The camera supports PTZ panoramic linkage with Infinova software platform V2216, and provides SDK and supports integration of the third-party software platform with Infinova software platform. Any zone selected in the panorama view will link the PTZ camera to zoom in, zoom out and deviate, so as to rapidly locate details under the big scene. An overall surveillance solution combining GMS and close-ups and amplification can be realized by grasping local and panoramic information.

VP120-A605 series camera is suitable for highways, roads, public security, airports, railways, ports, oil fields, parking lots, stadiums, entertainment centers, subways, large department stores, star hotels, prisons, conference halls, exhibition centers and other high-resolution surveillance applications.

Technical specifications

Lens	
Number	4
Focal Length	5mm
Iris	F2.0
Angle of View (Horizontal)	46° (Each)
Optical Orthoscopy	Available
IR Correction	Available
Resolution	3MP (Each)
Video	
Image Sensor	1/3" progressive scan CMOS
Effective Pixels	8MP (4×2MP)
Video Compression	H.264 High profile
Resolution & Frame Rate	Major stream: 7680×1080@25fps; Minor stream: 1920×720@25fps; The maximum frame rate cannot be enabled with combined streams
Data Rate	Variable bit rate; Constant bit rate: 1000Kbps~30Mbps
Angle of View (H)	180°
Sensitivity	Color mode: 0.1 lux @ F2.0 (30IRE, AGC ON); B/W mode: 0.01 lux @ F2.0 (30IRE, AGC ON)
Camera	
Shutter	Auto, with 1/25s (50Hz) or 1/30s (60Hz)~1/10000s adjustable
Flickerless Mode	50Hz/60Hz
Digital WDR	Available
Noise Reduction	3D
White Balance	Auto/Manual/Incandescent light/ Cool white fluorescent light/Sun light/Cloudy/Natrium light
AGC	Available
Video Parameter Setting	Exposure, Gain Control, Brightness, Sharpness, Contrast, Saturation
Day/Night Functionality	Available
Motion Detection	Up to four areas
Privacy Mask	Up to four masks
Merging	
Front-end Merging	Support interior merging, and produce panoramic streams
Image Fusion	Seamless fusion for four lenses
System	
Upgrade Online	Available
User Management	Available
Time Management	Time-zone setting, NTP and PC synchronization
Password Protection	Available
SD Storage	Available

Power-off Protection	Parameter settings can be saved automatically after power-off, and operation can be restored with power-on
Alarm Linkage	Audio, email-sending, and FTP upload
Access Protocols	ONVIF, INFINOVA, CGI Huning Protocol
Port	
Audio Port	1 input, 1 output
Alarm Port	1 input, 1 output
Network Port	1 RJ45 10/100M self-adaptive Ethernet port
Network Protocols	IPv4, TCP/IP, UDP, IGMP, DHCP, FTP, SMTP, NTP, RTP, RTSP, RTCP, HTTP, HTTPS, 802.1X
Electricity	
Power Supply	12VDC
Power Consumption	15W; 33W (with heater)
Surge Protection	2K: The difference module of power and the network port 4K: The common module of the power and the network port
Lightning Protection	6K for contact and 8K for air discharge
Environment	
Operating Temperature	-40°F ~ 122°F (-40°C ~ 50°C)
Operating Humidity	0%~90% RH (non-condensing)
Structure	
Mount	Surface, Bracket
Unit Dimensions (H×Ø)	Surface: 4.72"×7.24" (120mm×184mm) (Outdoor) Bracket: 5.67"×7.32" (133mm×186mm) (Indoor); 7.28"×8.15" (185mm×207mm) (Outdoor)
Physics	
Fan	Available, thermal cycle and defogging
Heater	Available, thermal cycle and defogging
Sun Shade	Double heat and water proof
Unit Weight	Camera: 4.08lbs. (1.85Kg) (Surface mount) Adapter: 2.76lbs. (1.25Kg) (Bracket mount, Outdoor) Adapter: 2.76lbs. (1.25Kg) (Bracket mount, Outdoor)
Shipping Weight	Camera: 4.74lbs. (2.15Kg) (Surface mount) Adapter: 3.42lbs. (1.55Kg) (Bracket mount, Outdoor) Adapter: 1.87lbs. (0.85Kg) (Bracket mount, Outdoor)
Environmental Rating	IP66 and vandal resistance
Certifications and Approval	
Product Certifications	CE ¹ , FCC ² , IK10 ³ , IP66 ⁴ , UL 60950-1 ⁵ , ISO 9001: 2008

Certificate No.:¹RSZ150403008-01, ²RSZ150403008-00, ³ES150529003RE, ⁴TRS15050135, ⁵E232008-X1

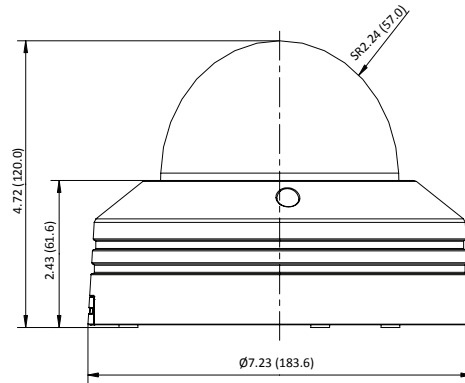
Ordering information

VP120-A605-A422	Panoramic minidome camera, 1/3 inch CMOS sensor, with four 3.0MP 5mm fixed lenses, 12VDC, Surface Mount, Outdoor/Indoor, Transparent, Vandal resistant
VP120-A605-A452	Panoramic minidome camera, 1/3 inch CMOS sensor, with four 3.0MP 5mm fixed lenses, 12VDC, Bracket Mount, Indoor, Clear Bubble, Vandal resistant
VP120-A605-A462	Panoramic minidome camera, 1/3 inch CMOS sensor, with four 3.0MP 5mm fixed lenses, 12VDC, Bracket Mount, Outdoor, Clear Bubble, Vandal resistant

Optional Accessories:

V1761K-W2	Wall Mount, matt white
V1762K-W2	Corner Mount, matt white
V1763K-W2	Pole Mount, matt white
V1764-W2	Indoor Pendent Mount, matt white
V1765-W2	Parapet Mount, vertical adapter, matt white
V1765A-W2	Parapet Mount, horizontal attachment, in conjunction with V1765-W2

Dimensions



(Unit: inch, in the parentheses is mm)